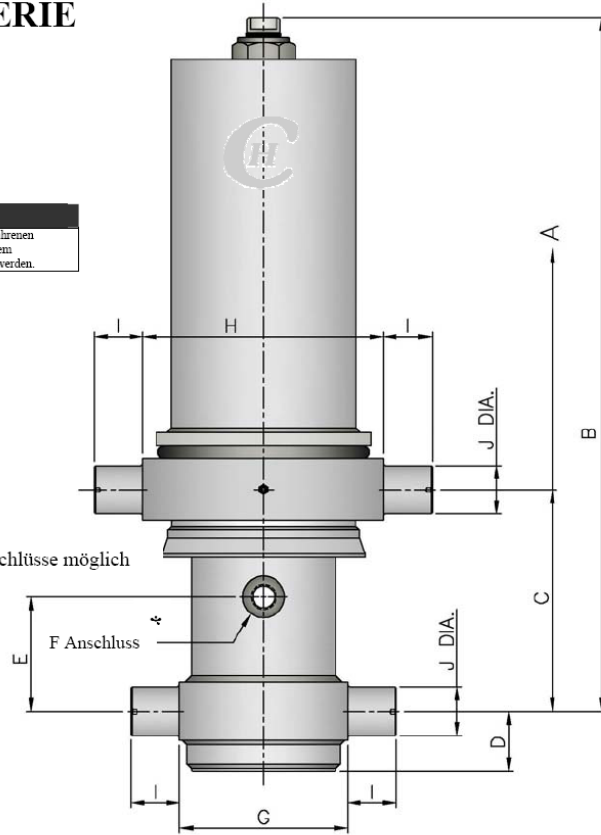


MODELL-NUMMER	
Grösste bewegliche Stufe	
185	5- 1509-6233
Anzahl der beweglichen Stufen	
185	5- 1509-6233
Hub in mm	
1855-	1509- 6233
Konstruktions-Nr.	
1855-	1509 -6233
Zylinder Grösse	
1855-	1509 -6233

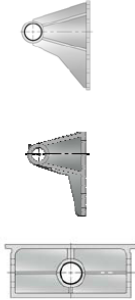
## 1500 SERIE

### Einbauspil

Das Maß "C" zeigt den ganz eingefahrenen Zustand. Der Zylinder muss mit einem Einbauspil von  $\geq 25$  mm montiert werden.



### Montage Konsolen



Stufen Größe	Hebekapazität der einzelnen Stufen						
	Betriebsdruck (bar/psi)						
	100 / 1450	125 / 1812	150 / 2175	175 / 2538	200 / 2900	225 / 3262	240 / 3480
kg/lbs.							
232	42,991 / 94,777	53,724 / 118,438	103,178 / 227,465	103,178 / 227,465	103,178 / 227,465	103,178 / 227,465	103,178 / 227,465
207	34084 / 75142	42226 / 93902	51126 / 112713	59659 / 131525	68169 / 150285	76678 / 169044	81802 / 180341
185	27138 / 59829	33913 / 74766	40708 / 89744	47502 / 104722	54277 / 119659	61505 / 134595	65132 / 143590
162	21016 / 46332	26263 / 57899	31524 / 69498	36785 / 81097	42032 / 92664	47,279 / 104231	50438 / 111196
140	15618 / 34432	19517 / 43028	23427 / 51648	27337 / 60268	31236 / 68864	35135 / 77460	37484 / 82637
121	11649 / 25682	14557 / 32093	17474 / 38523	20390 / 44952	23298 / 51364	26206 / 57775	27958 / 61636
102	8261 / 18212	10323 / 22759	12391 / 27318	14459 / 31877	16522 / 36424	18584 / 40971	19826 / 43709
81	5254 / 11583	6565 / 14475	7881 / 17374	9196 / 20274	10508 / 23166	11820 / 26058	12609 / 27799

# 1500

# TECHNISCHE DATEN

Modell - Nummer	A Hub	B	C	Liter/Ga.	Liter/Ga.	D	E	F	G	H	I	J
	mm / Zoll	mm / Zoll	mm / Zoll	Füllung	Hubvolumen	mm / Zoll	mm / Zoll	Zoll	mm / Zoll	mm / Zoll	mm / Zoll	mm / Zoll
1403-1501-4300	4299/169.25	1686/66.38	320/12.62	6.3/1.7	49.9/13.2	70/2.76	190/7.48	1.0	197/7.76	300/11.81	60/2.38	57/2.25
1404-1504-4140	4140/163.00	1289/50.75	320/12.62	5.5/1.5	10.9/41.3	70/2.76	190/7.48	1.0	197/7.76	300/11.81	60/2.38	57/2.25
1404-1504-4606	4607/181.38	1394/54.88	320/12.62	6.3/1.7	46.0/12.2	70/2.76	190/7.48	1.0	197/7.76	300/11.81	60/2.38	57/2.25
1404-1510-4640	4623/182.00	1410/55.50	320/12.62	6.4/1.7	46.1/12.2	70/2.76	190/7.48	1.0	197/7.76	300/11.81	60/2.38	57/2.25
1404-1504-4940	4940/194.50	1543/60.75	320/12.62	6.7/1.8	49.3/13.0	70/2.76	190/7.48	1.0	197/7.76	300/11.81	60/2.38	57/2.25
1404-1507-5100	5105/204.00	1549/61.00	320/12.62	6.8/1.8	51.0/13.5	70/2.76	190/7.48	1.0	197/7.76	300/11.81	60/2.38	57/2.25
1404-1504-5600	5600/220.50	1654/65.12	320/12.62	7.5/2.0	55.9/14.8	70/2.76	190/7.48	1.0	197/7.76	300/11.81	60/2.38	57/2.25
1624-1507-4435	4432/174.50	1349/53.13	320/12.62	7.0/1.8	61.3/16.2	85/3.35	190/7.48	1.0	242/9.51	340/13.38	70/2.76	63/2.49
1624-1501-4640	4635/182.50	1400/55.12	320/12.62	7.2/1.9	64.2/16.9	85/3.35	190/7.48	1.0	242/9.51	340/13.38	70/2.76	63/2.49
1624-1507-4700	4699/185.00	1416/55.75	320/12.62	7.4/2.0	65.0/17.2	85/3.35	190/7.48	1.0	242/9.51	340/13.38	70/2.76	63/2.49
1624-1504-5190	5182/204.00	1556/61.25	320/12.62	8.4/2.2	71.8/18.9	85/3.35	190/7.48	1.0	242/9.51	340/13.38	70/2.76	63/2.49
1624-1504-5460	5461/215.00	1626/64.00	320/12.62	8.6/2.3	75.6/20.0	85/3.35	190/7.48	1.0	242/9.51	340/13.38	70/2.76	63/2.49
1625-1504-5625	5620/221.25	1419/55.88	320/12.62	8.2/2.2	67.9/17.9	85/3.35	190/7.48	1.0	242/9.51	340/13.38	70/2.76	63/2.49
1625-1502-5850	5852/230.38	1397/55.00	320/12.62	8.5/2.2	70.7/18.7	85/3.35	190/7.48	1.0	242/9.51	340/13.38	70/2.76	63/2.49
1625-1501-6125	6128/241.25	1514/59.63	320/12.62	8.9/2.4	74.0/19.6	85/3.35	190/7.48	1.0	242/9.51	340/13.38	70/2.76	63/2.49
1625-1502-6800	6795/267.50	1648/64.88	320/12.62	9.9/2.6	82.2/21.7	85/3.35	190/7.48	1.0	242/9.51	340/13.38	70/2.76	63/2.49
1625-1502-7300	7303/287.50	1749/68.88	320/12.62	10.6/2.8	88.3/23.3	85/3.35	190/7.48	1.0	242/9.51	340/13.38	70/2.76	63/2.49
1625-1502-9050	9049/356.25	2099/82.63	320/12.62	13.2/3.5	109.4/28.9	85/3.35	190/7.48	1.0	242/9.51	340/13.38	70/2.76	63/2.49
1854-1507-5390	5391/212.25	1616/63.62	320/12.62	9.8/2.6	99.5/26.3	85/3.35	165/6.48	1.0	242/9.53	348/13.69	70/2.76	63/2.49
1854-1507-5460	5461/215.00	1635/64.38	320/12.62	9.9/2.6	100.8/26.6	85/3.35	165/6.48	1.0	242/9.53	348/13.69	70/2.76	63/2.49
1854-1507-6190	6191/243.75	1819/71.62	320/12.62	11.2/3.0	114.4/30.2	85/3.35	165/6.48	1.0	242/9.53	348/13.69	70/2.76	63/2.49
1855-1512-5390	5398/212.50	1353/53.25	320/12.62	9.1/2.4	88.5/23.3	85/3.35	165/6.48	1.0	242/9.53	348/13.69	70/2.76	63/2.49
1855-1512-5733	5731/225.62	1419/55.88	320/12.62	9.7/2.6	93.9/24.8	85/3.35	165/6.48	1.0	242/9.53	348/13.69	70/2.76	63/2.49
1855-1512-6233	6223/245.00	1518/59.75	320/12.62	10.5/2.8	101.8/26.9	85/3.35	165/6.48	1.0	242/9.53	348/13.69	70/2.76	63/2.49
1855-1512-6733	6731/265.00	1619/63.75	320/12.62	11.4/3.0	110.2/29.1	85/3.35	165/6.48	1.0	242/9.53	348/13.69	70/2.76	63/2.49
1855-1512-7190	7191/283.12	1711/67.38	320/12.62	12.2/3.2	118.2/31.1	85/3.35	165/6.48	1.0	242/9.53	348/13.69	70/2.76	63/2.49
1855-1512-7233	7223/284.38	1718/67.62	320/12.62	12.2/3.3	118.1/31.2	85/3.35	165/6.48	1.0	242/9.53	348/13.69	70/2.76	63/2.49
1855-1512-9000	9001/354.38	2099/82.58	463/18.25	15.2/4.0	147.5/39.0	85/3.35	165/6.48	1.0	242/9.53	348/13.69	70/2.76	63/2.49
2075-1502-5588	5588/220.00	1397/55.00	320/12.62	11.3/3.2	119.7/31.6	85/3.35	165/6.48	1.0	267/10.5	350/13.78	70/2.76	63/2.49
2075-1502-5969	5969/235.00	1473/58.00	320/12.62	12.0/3.2	127.9/33.8	85/3.35	165/6.48	1.0	267/10.5	350/13.78	70/2.76	63/2.49
2075-1502-7190	7191/283.12	1718/67.63	320/12.62	14.5/3.8	154.2/40.7	85/3.35	165/6.48	1.0	267/10.5	350/13.78	70/2.76	63/2.49
2075-1502-8000	8001/315.00	1905/75.00	320/12.62	16.1/4.3	171.6/45.3	85/3.35	165/6.48	1.0	267/10.5	350/13.78	70/2.76	63/2.49
2075-1502-8500	8509/335.00	2007/79.00	320/12.62	17.2/4.5	182.5/48.2	85/3.35	165/6.48	1.0	267/10.5	350/13.78	70/2.76	63/2.49
2075-1502-9000	9017/355.00	2108/83.00	320/12.62	18.2/4.8	193.4/51.1	85/3.35	165/6.48	1.0	267/10.5	350/13.78	70/2.76	63/2.49
2325-1501-9000	9017/355.00	2108/83.00	320/12.62	26.6/7.0	248.6/65.7	86/3.38	171.6/7.5	1.0	304/11.9	406/16.00	70/2.76	76/2.99